

For Immediate Release: December 12, 2023

## #80950 RC8B4.1e Team Kit



ELECTRIC ▪ OFFROAD ▪ 1:8 SCALE ▪ 4 WHEEL DRIVE ▪ KIT

The next evolution of the RC8B4 eBuggy is upon us. Team Associated engineers sought to lower the CG and weight and improve handling on un-groomed outdoor tracks. The heart of the buggy is the new RWB/FWB adjustable weight bias chassis design. The innovative system allows the driver to run either configuration with the motor rearward for more traction, or shift the center diff and flip the center dogbones to run motor forward for more steering. The suspension is overhauled with new front and rear low-CG shock towers and shorter shocks, along with new 3-hole rear suspension arms that allow for softer shock and spring while still maintaining support in the fast turns. The new wide base rear hubs come in three fixed axle heights and use 3mm carbon fiber hub towers to allow several different geometry options. Lastly, the buggy comes with 92mm universal joints, 44/13 bevel gears, and a 46T molded spur gear for the most grip and smoothest power delivery on un-groomed outdoor tracks.



## HIGHLIGHTS



Gearboxes are equipped with larger input bearings and 44/13 bevel gear set

# RC8 B4.1e TEAM KIT



Wing mount features adjustable with wing angle shims, strength improvements, and aerodynamic shape



92mm universal driveshafts with 17mm outdrives. 96.5mm rear and 104mm front center dog-bones.



New durable rear hub design with wide footprint base and tuneable 3mm carbon fiber hub towers



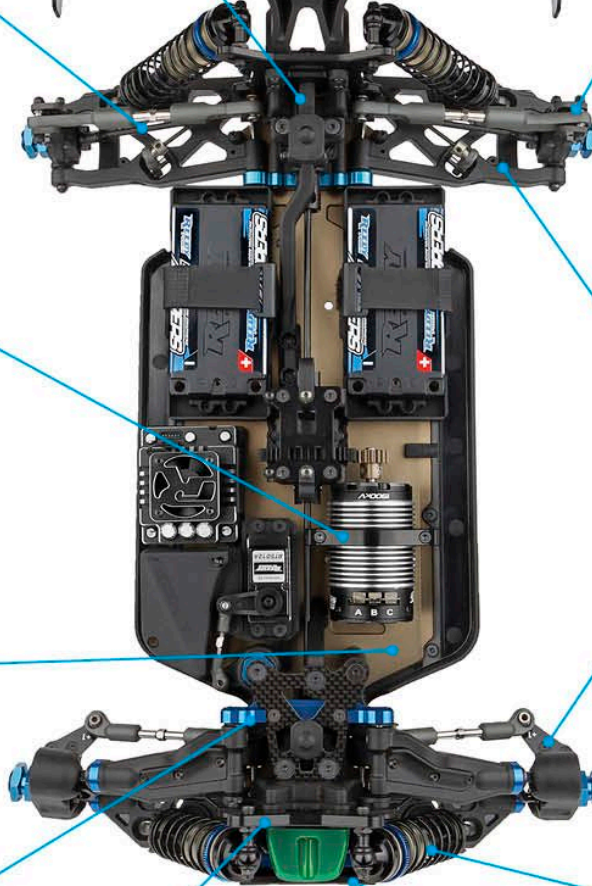
Two-piece clamping motor mount which can shift forward or rearward to support FWB or RWB



New 3-hole rear suspension arms with updated rear anti-roll geometry for all track conditions



New RC8B4.1e FWB RWB chassis with adjustable motor location for tuning weight bias



New +1 aluminum steering block arms for sharper steering on low grip



New blue aluminum front upper arm mount for added durability



New low CG and lightweight aluminum front and rear shock towers



New molded RC8B4.1 front bumper with optimized profile for bumpy transitions



New shorter 16mm front and rear shock bodies for lower CG and lighter weight

Due to ongoing R&D, photos may not match final kit. Vehicle shown on these pages equipped with items NOT included in kit: motor, transponder, servos, receiver, wheels, tires. Assembly and painting required.

## MORE FEATURES

- New RC8B4.1e RWB/FWB adjustable weight bias chassis design to tune rear grip vs. steering
- New low CG and lightweight aluminum front and rear shock towers
- New shorter 16mm front and rear shock bodies for lower CG and lighter weight
- New 6-hole 1.4mm front and 1.5mm taper rear machined shock pistons included with emulsion shock cap seals
- New 3-hole rear suspension arms with updated rear anti-roll bar geometry for both smooth and bumpy tracks
- New durable rear hub design with wide footprint base, and tuneable 3mm carbon fiber hub towers
- New blue aluminum front upper arm mount for added durability
- New molded RC8B4.1 front bumper with optimized profile for bumpy transitions
- 44/13 Ring and Pinion Bevel Gear Set
- 92mm universal driveshafts with 17mm outdrives
- Updated Soft Blend suspension arms for maximum durability in cold weather
- New +1 aluminum steering block arms for sharper steering on low grip

[Click here](#) for RC8B4.1e Team Kit Legacy Features!

## CATALOG INFORMATION

UPC	Part No.	Description	MSRP	MAP	Available
784695809505	80950	RC8B4.1e Team Kit	\$979.99	\$669.99	January 2024

Download all zipped photos here: <https://www.rc10.com/rc8b41ezip/> (15.9MB). Link is active for 30 days.

**See the next page for hop-ups and support parts already available as of this date!**

## SPECIFICATIONS

Scale	1:8
Power	Electric
Length	486mm (19.13")
Width	304.5mm (12")
Weight	Varies
Wheelbase	323–327mm (12.72–12.87")
Transmission Ratio	3.38:1

## ITEMS NEEDED TO COMPLETE

- See next page for items needed.



21062 Bake Pkwy  
Lake Forest CA 92630  
[www.AssociatedElectrics.com](http://www.AssociatedElectrics.com)



## REQUIRED TO COMPLETE

- 1:8 scale sized motor (#27405-27406 Reedy Power Sonic 866 Buggy Motors)
- 1:8 scale sized ESC (#27007 Reedy Power Blackbox 850R Sensored ESC or #27008 with Programmer 2)
- 2- or 3-channel radio/transmitter
- Transmitter batteries
- 2S shorty LiPo Battery Pack (2 needed, recommended for lowest CG) (#27382 Zappers SG5 7.6V 6400mAh Shorty LiPo or #27374 Zappers DR 7.6V 6100mAh Shorty LiPo)
- 4S LiPo Shorty Battery Pack (1 needed) (#27390 Zapper SG5 15.2V 6300mAh Shorty LiPo or #27371 Zapper SG4 15.2V 6100mAh Shorty LiPo)
- 1:8 scale buggy tires
- 1:8 scale buggy wheels
- CA (cyanoacrylate) glue (#1597 recommended)
- Polycarbonate-specific spray paint or polycarbonate-specific bottled paint and airbrush
- Thread-locking compound (#1596 FT Locking Adhesive recommended)
- Needle-nose pliers
- Hobby knife
- Reamer or hole punch for making holes in body
- Ride height gauge
- Steering servo (#27153 RT5012A HV Digital Competition 1:8 Servo)
- *Other helpful items:* Silicone Shock Fluid. Silicone Diff Fluid. Body Scissors (#1737 FT body scissors recommended). Reamer (#1499) / Hole Punch. Shock Shaft Multi-Tool (#1681). FT Hex Wrenches: (#1518, #1506). FT Hex/Nut Driver Tool Set (#1519 recommended). Hobby Knife. Needle Nose Pliers. Wire Cutters. Calipers or a Precision Ruler. Turnbuckle Wrench (#1114 recommended).

## Already released: HOP-UP AND SUPPORT PARTS

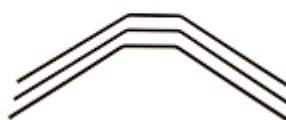
UPC	Part No.	Description	MSRP	MAP
784695014985	1498	FT Universal Tire Balancer	\$44.99	
784695811294	81129	RC8B3 FT Front Anti-roll Bars, 2.0-2.2mm	\$17.99	\$15.29
784695811393	81139	RC8B3 FT Rear Anti-roll Bars, 2.2-2.4mm	\$17.99	\$15.29
various	81202, 81206, 81207	Shock Pistons	\$17.99	\$15.30
784695013636	1363	FT Aluminum Clamping Servo Horn 25T, 18.5 mm	17.99	15.29
784695814981	81498	FT Low Friction X-Rings, 5.8 x 1.9mm	\$9.99	\$9.99
784695815193	81519	RC8B4 FT servo saver arm, blue aluminum	\$24.99	\$21.25



1498



81129



81139



81202



1363



81498



81519